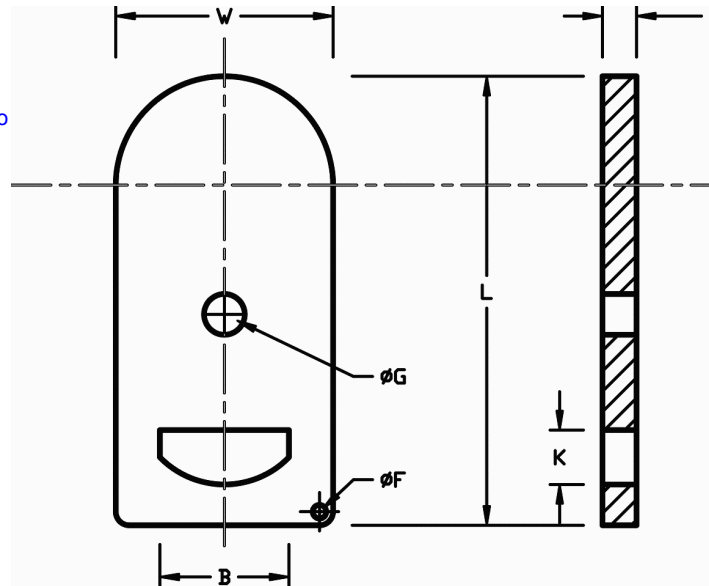


## STEINMANS SAFETY BLIND - RAISED FACE OR PLAIN FACE FLANGES

|                     |                                    |  |                         |
|---------------------|------------------------------------|--|-------------------------|
| <b>Client Name:</b> | <b>Provided by:</b> Steinmans, LLC | <b>Item No.:</b> SB-0150-04HF-0100-316SS   | <b>Revision:</b> REV-01 |
| <b>Company:</b>     | <b>Prepared by:</b> DSF            | <b>Design Type:</b> STEINMANS Safety Blind | <b>Date:</b> 09/17/2010 |

Quantity: 1  
 Item Description: STEINMANS Safety Blind  
 Line Size, NPS: 1  
 Material of Blank/Spacer: ASTM A 240 Gr. 316 Stainless Steel Pl. 16Cr-12Ni-2Mo  
 Flange Class Rating: Class 150  
 Facing Type: Plain Face  
 Facing Finish: Mill Finish  
 \*Standards: (a) ASME B16.5 Flanges, NPS 1/2 thru 24  
 (b) ASME B16.48 Line Blanks  
 (c) ASME B31.3 Process Piping  
 Dimensional Tolerance: +/- 0.03 in.  
 Thickness Tolerance: ASTM Plate Standard  
 Weight Density (lb/in<sup>3</sup>): 0.289  
 Corrosion Allowance: 0.000 in.  
 Design Temperature: N/A  
 Allowable Pressures (psig): NOT RATED FOR PRESSURE  
 Construction of Design: One Piece Construction  
 Material of Handle/Web: N/A - Handle Not Separate (One Piece Construction)  
 Welding Requirements: No Welding Required (One Piece Construction)  
 Coating: None  
 Special Features: None



| Dimensions |      |     |
|------------|------|-----|
|            | Inch | mm  |
| L =        | 6.4  | 162 |
| W =        | 2.5  | 63  |
| N =        | n/a  | n/a |
| G =        | 0.6  | 15  |
| F =        | 0.3  | 7   |
| B =        | 1.4  | 35  |
| K =        | 1.0  | 25  |
| T =        | 0.13 | 3   |

| Weight |     |
|--------|-----|
| Lbs    | kg  |
| 0.5    | 0.2 |

| Markings   |
|--|
| STEINMANS<br>A 240 - 316 SS<br>150# 1<br>1/8 THK |

| Inverted Bottom Marking |
|-------------------------|
| 150# 1                  |

- Notes:
- (1) Marking: Safety Blanks shall be permanently marked as follows:
    - (a) STEINMANS
    - (b) Material specification and grade (abbreviated)
    - (c) Flange class (abbreviated)
    - (d) Pipe Size (NPS)
    - (e) Thickness (Inches)
  - (2) Hole size "G", shall be the same size as the flange bolt hole.
  - (3) Customer to provide all required design specifications prior to placing order. Design Specifications are as follows:
    - (a) Pipe Size, NPS
    - (b) Flange Class and type
    - (c) Material
    - (d) Special coatings (if any)
    - (e) Added corrosion thickness value (if any)
  - (4) Steinmans Safety Blinds are not designed to withstand high pressures and/or temperatures. They are to be used for temporary line blocking for potential flow only. To be used in non-energized systems.

### STEINMANS, LLC

4142 Ogletown-Stanton Rd. Ste. 117  
 Newark, DE 19713  
 Phone: (302) 999-1784  
 Fax: (302) 999-1785  
[sales@steinmansllc.com](mailto:sales@steinmansllc.com)  
[www.steinmansllc.com](http://www.steinmansllc.com)

Copyright (c) 2010 Steinmans, LLC. All Rights Reserved.